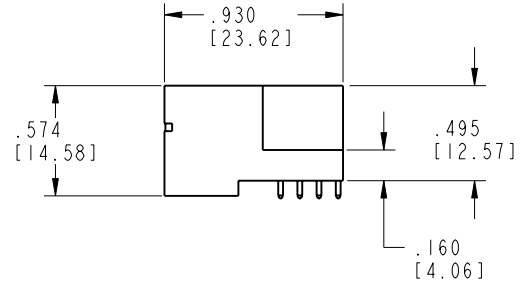
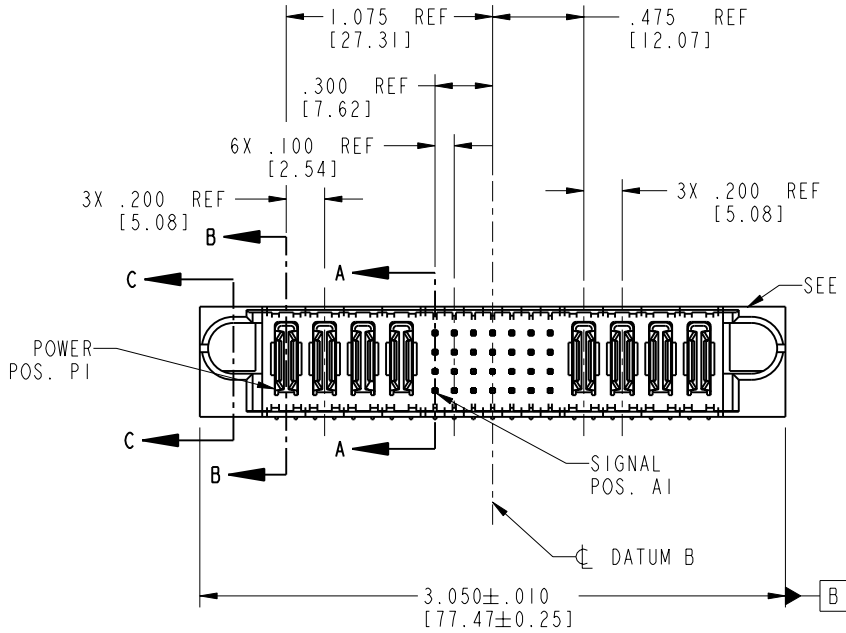
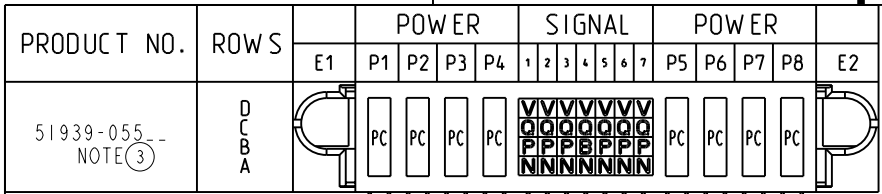


Tous droits strictement réservés. Reproduction ou communication o des liens interdite sous quelque forme que ce soit sans autorisation écrite du propriétaire. Propriete de c FCI. Droits de reproduction FCI.

All rights strictly reserved. Reproduction or issue to third parties in any form whenever is not permitted without written authority from the proprietor. Property of FCI. Copyright FCI.



CODE	DIM "M" MATING LENGTH		CONTACT TYPE
PC	N/A	[N/A]	POWER
V	.270	[6.86]	SIGNAL
Q	.270	[6.86]	SIGNAL
P	.270	[6.86]	SIGNAL
N	.270	[6.86]	SIGNAL
B	.220	[5.59]	SIGNAL

mat'l code SEE NOTE 2				tolerances unless otherwise specified		CUSTOMER		 www.fciconnect.com		
ltr	ecn no.	dr	date	linear	.XX±.01/0.XX±0.3	COPY		 INCH/MM	title 4P + 28S + 4P RIGHT ANGLE SOLDER HEADER	
A	V03-0391	MEM	4/7/03		.XXX±.005/0.XX±0.13	projection				product family PwrBlade code 213
B	DG05-0064	SW	04/05/05		.XXX±.0020/0.XXX±0.051	 scale 1:1				
C	DG06-0014	JMG	01/10/06	angles	0° ± 2°					
sheet index		revision sheet	C C	C C	C C					

1 | 2

Pro/E

3 |

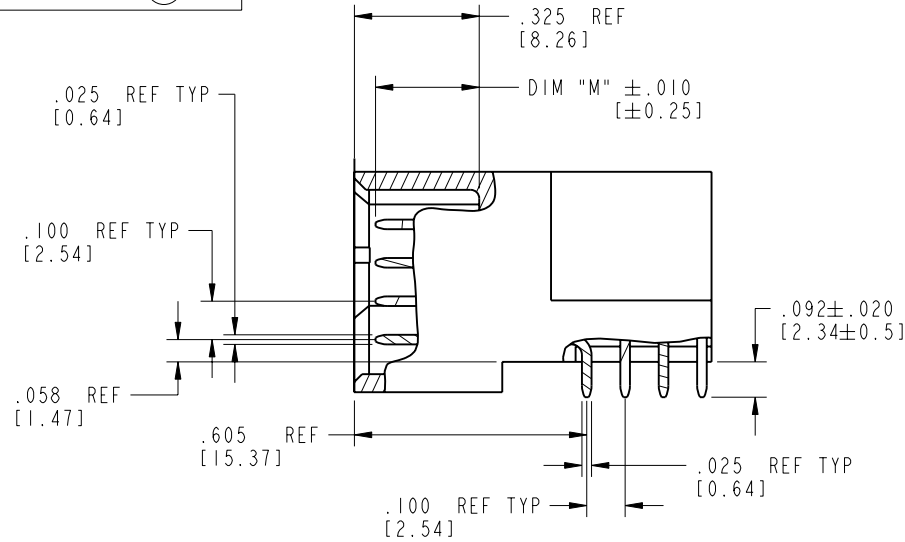
cage code 22526

4

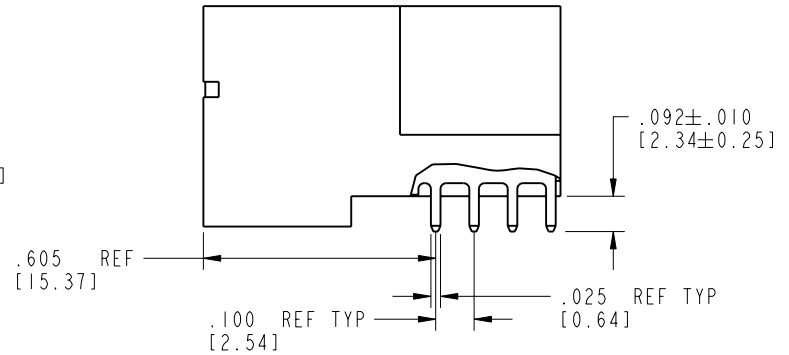
Tous droits strictement réservés. Reproduction ou communication o des liers interdite sous quelque forme que ce soit sans autorisation écrite du propriétaire. Propriete de c FCI. Droits de reproduction FCI.

All rights strictly reserved. Reproduction or issue to third parties in any form, whatever is not permitted without written authority from the proprietor. Property of FCI. Copyright FCI.

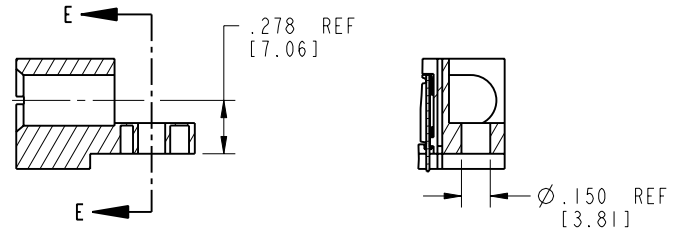
PRODUCT NUMBER
51939-055--
NOTE ③



BROKEN-OUT SECTION A-A
SCALE 2:1


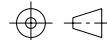
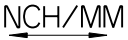


BROKEN-OUT SECTION B-B
SCALE 2:1



SECTION C-C

PARTIAL SECTION E-E

mat'l code		SEE NOTE 2		tolerances unless otherwise specified		CUSTOMER		 FCI www.fciconnect.com	
ltr	ecn no.	dr	date	linear	.XX±.01/0.X±0.3	COPY			
C				projection	.XXX±.005/0.XX±0.13			title	4P + 28S + 4P
				angles	.XXX±.0020/0.XXX±0.051			RIGHT ANGLE SOLDER HEADER	
				dr	M. MOSTOLLER 4/7/03	INCH/MM		product family	PwrBlade
				engr	M. MOSTOLLER 4/7/03	scale		size	dwg no
				chr	H. BREWBAKER 4/7/03	1:1		A	51939-055
				appd	M. MOSTOLLER 4/7/03			code	213
sheet index	revision sheet							sheet	2 of 4

Pro/E

cage code 22526

PDM: Rev:C

STATUS: Released

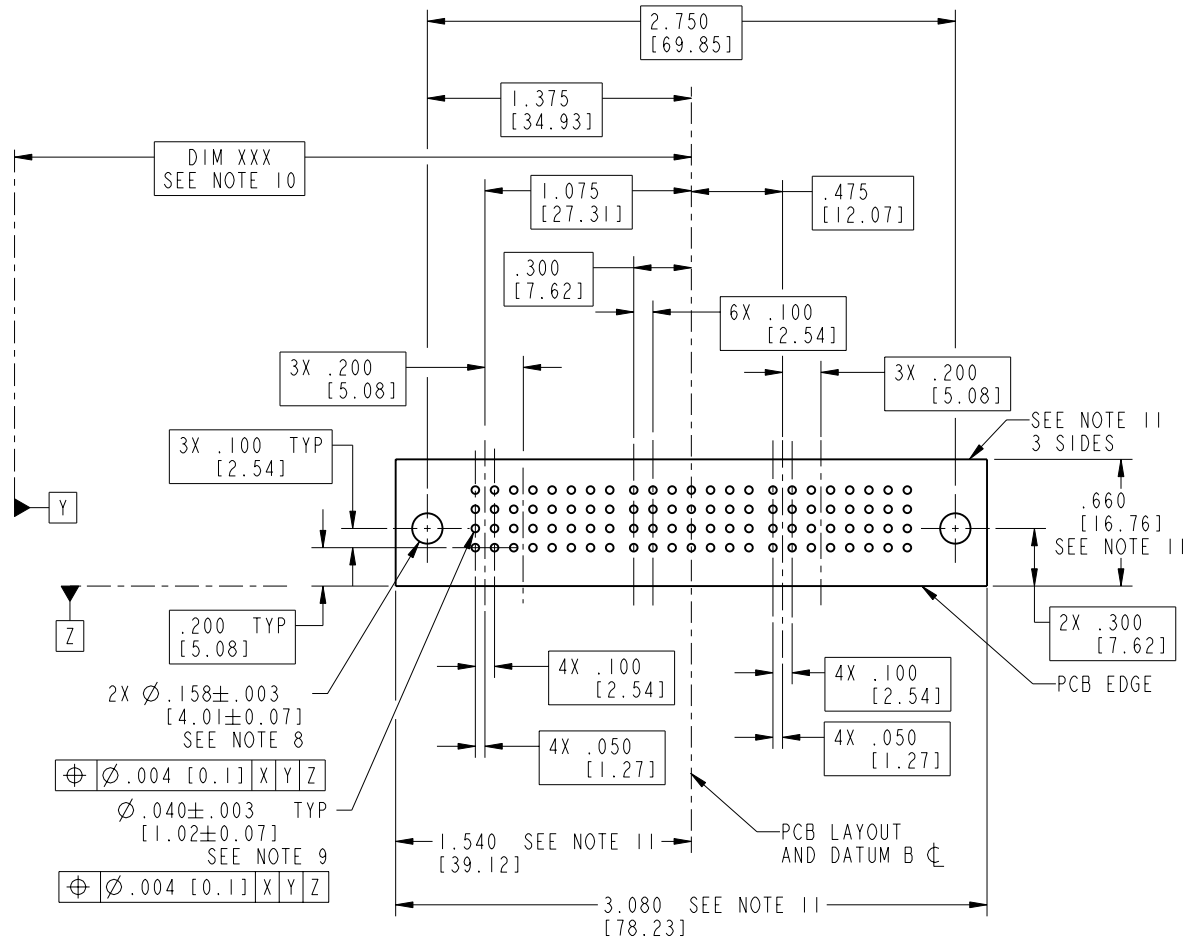
Printed: Aug 14, 2007

Tous droits strictement réservés. Reproduction ou communication o des liens interdite sous quelque forme que ce soit sans autorisation écrite du propriétaire. Propriete de c FCI. Droits de reproduction FCI.

All rights strictly reserved. Reproduction or issue to third parties in any form, whatever is not permitted without written authority from the proprietor. Property of FCI. Copyright FCI.



PRODUCT NUMBER
51939-055--
NOTE ③



RECOMMENDED PCB LAYOUT

mat'l code				SEE NOTE 2		tolerances unless otherwise specified		CUSTOMER		 www.fciconnect.com	
lfr	ecn no.	dr	date	linear	.XX±.01/0.X±0.3	projection		COPY		title	
C				angles	.XXX±.005/0.XX±0.13					4P + 28S + 4P	
				dr	.XXX±.0020/0.XXX±0.051	INCH/MM		product family		RIGHT ANGLE SOLDER HEADER	
				enrg	0°±2°	scale		PwrBlade		code	
				chr		1:1		size		213	
				appd				dwg no		sheet	
sheet index	revision sheet							A		3 of 4	
								51939-055		3 of 4	

cage code 22526

Pro/E

PDM: Rev:C

STATUS: Released

Printed: Aug 14, 2007

Tous droits strictement réservés. Reproduction ou communication o des liers interdite sous quelque forme que ce soit sans autorisation écrite du propriétaire. Propriete de c FCI. Droits de reproduction FCI.



All rights strictly reserved. Reproduction or issue to third parties in any form, whatever is not permitted without written authority from the proprietor. Property of FCI. Copyright FCI.

PRODUCT NUMBER

51939-055--
NOTE ③

NOTES:

1. DIMENSIONS AND TOLERANCES ARE IN ACCORDANCE WITH ASME Y14.5M, 1994 UNLESS OTHERWISE SPECIFIED.

CONNECTOR NOTES:

- ② HOUSING MATERIAL: UL 94 V-0 GLASS FILLED HIGH-TEMP THERMOPLASTIC
POWER CONTACT MATERIAL: COPPER ALLOY
SIGNAL PIN MATERIAL: COPPER ALLOY
- 3. 51939-055;51939-055LF;51939-055GLF PLATING SPEC. SEE PRINT:10064183
- ④ MANUFACTURER'S NAME, P/N, AND DATE CODE TO APPEAR ON THIS SURFACE.
- 5. PRODUCT SPECIFICATION GS-12-149.
APPLICATION SPECIFICATION BUS-20-067.
- 6. PACKAGED IN TRAYS.

PCB NOTES:

- 7. ALL HOLE DIAMETERS ARE FINISHED HOLE SIZE.
- ⑧ MOUNTING HOLES, WHERE APPLICABLE, ARE UNPLATED.
- ⑨ $\varnothing .0453 \pm .0010$ [1.151 \pm 0.025] DRILLED HOLES PLATED WITH .0003 [0.008] MIN SnPb OVER .001 [0.03] TO .003 [0.08] Cu PLATING TO ACHIEVE $\varnothing .040 \pm .003$ [1.02 \pm .07] HOLE.
- ⑩ "DIM XXX" TO BE DETERMINED BY THE CUSTOMER.
- ⑪ CONNECTOR KEEP-OUT ZONE.

mat'l code		SEE NOTE 2		tolerances unless otherwise specified		CUSTOMER		www.fciconnect.com	
ltr	ecr no.	dr	date	linear	.XX±.01/0.X±0.3	COPY			
C				projection	.XXX±.005/0.XX±0.13			title	4P + 28S + 4P
				angles	.XXX±.0020/0.XXX±0.051			RIGHT ANGLE SOLDER HEADER	
				dr	M. MOSTOLLER 4/7/03	INCH/MM		product family	PwrBlade
				enrg	M. MOSTOLLER 4/7/03			code	213
				chr	H. BREWBAKER 4/7/03	scale		size	dwg no
				appd	M. MOSTOLLER 4/7/03	1:1		A	51939-055
sheet index	revision sheet							sheet	4 of 4

cage code 22526

Pro/E